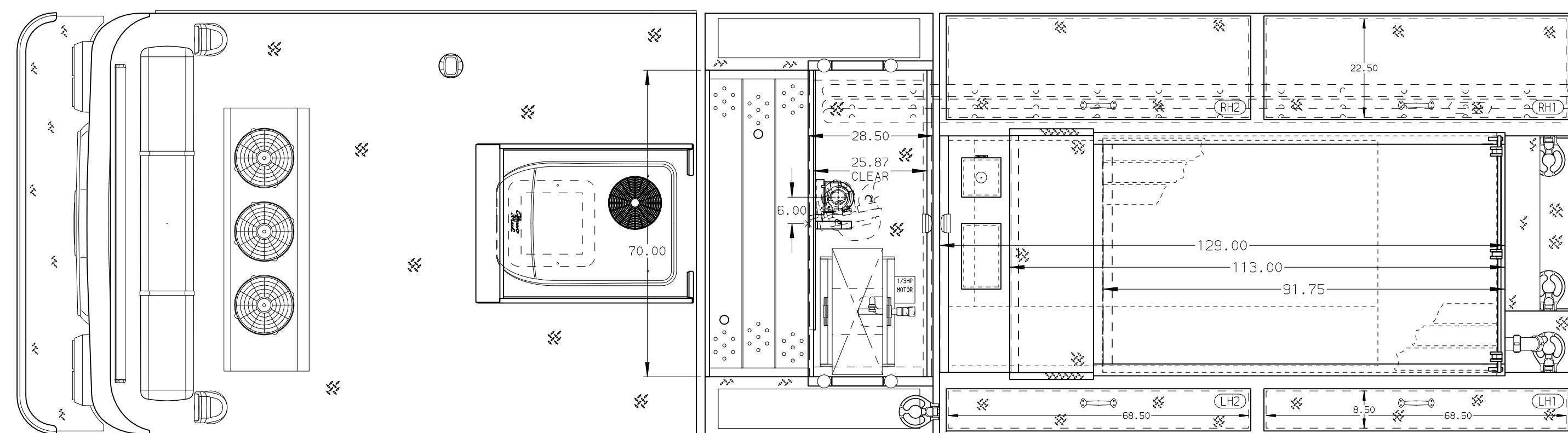
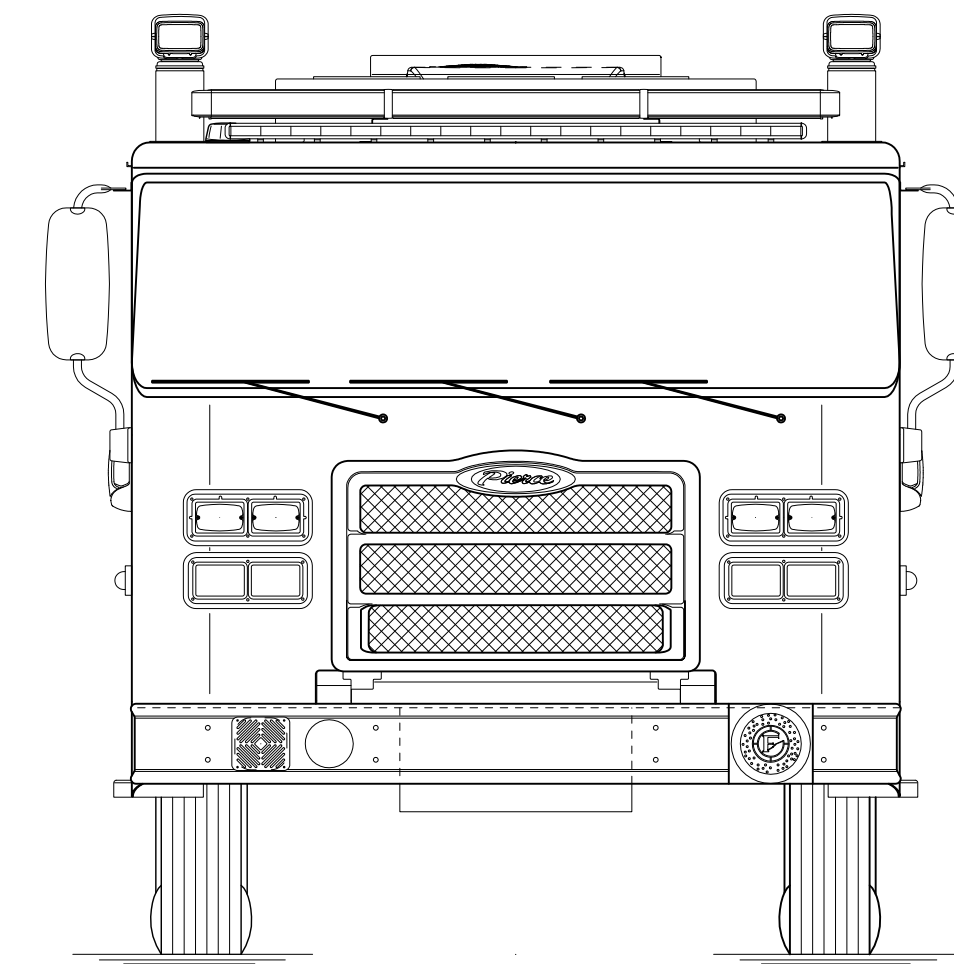
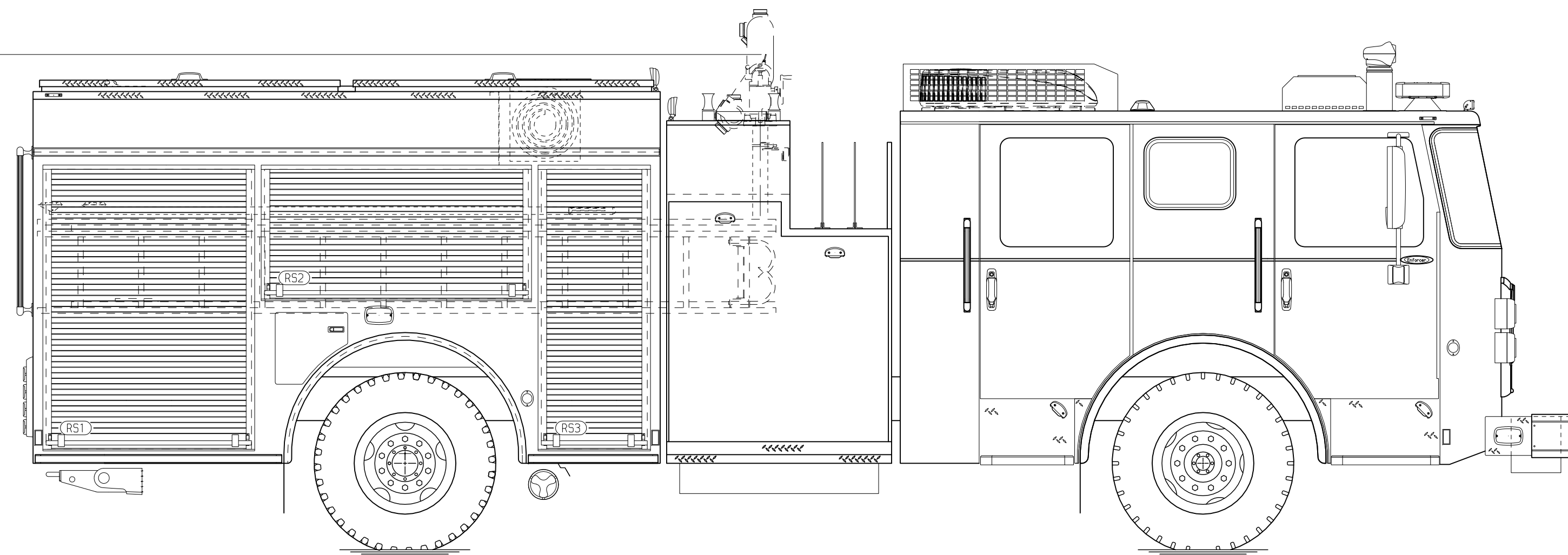
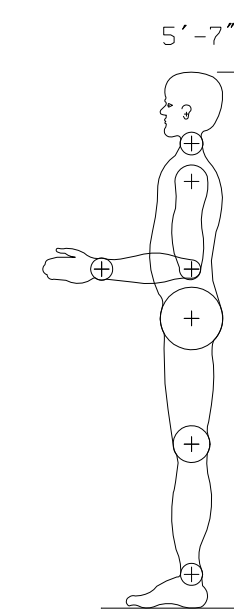
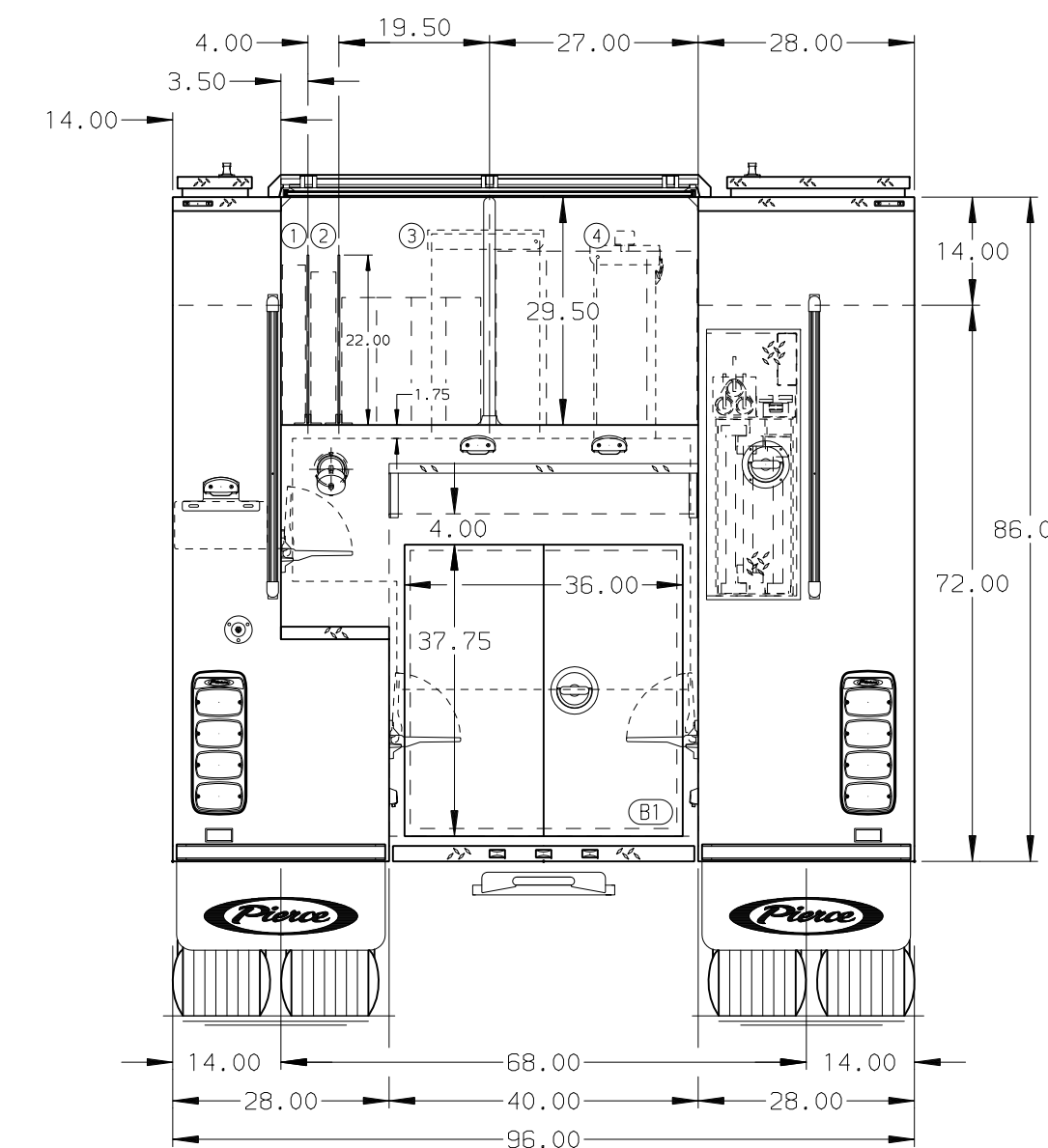
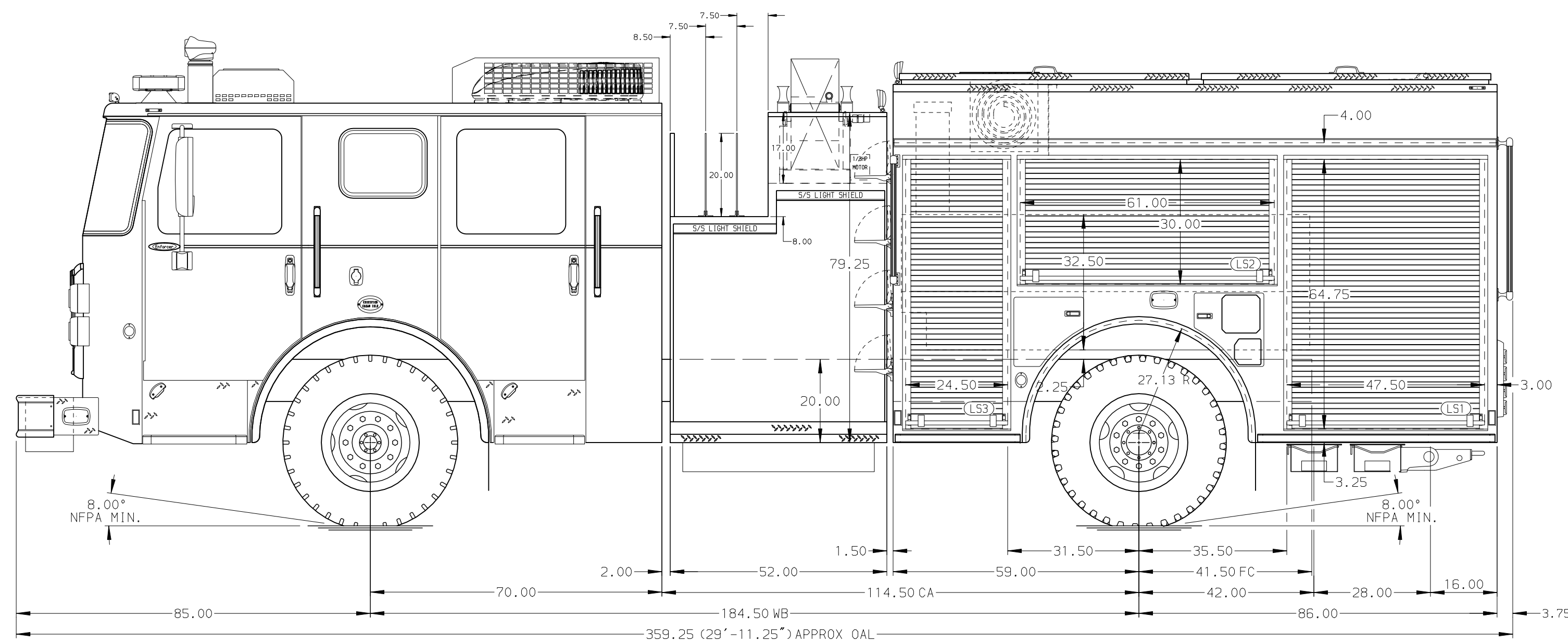


117.00
(9'-9")
APPROX
O.A.H.



HOSEBED CAPACITIES
 ① 200' OF 1.50" D.J. POLY HOSE
 ② 200' OF 1.75" D.J. POLY HOSE
 ③ 600' OF 2.50" D.J. POLY HOSE
 ④ 800' OF 4.00" D.J. POLY HOSE



ALUMINUM BODY

NOTE
 DIMENSIONS SHOWN ARE APPROXIMATE
 AND ARE SUBJECT TO MINOR DEVIATIONS
 AS MAY OCCUR OR BE NECESSARY IN
 CONSTRUCTION.
 MINOR DETAILS NOT SHOWN.

THE GENERAL ARRANGEMENT SHOWN IS INCORPORATING MAJOR
 COMPONENTS PRESENT IN YOUR OPTION CONTENT AND IS NOT
 AN ACCURATE REPRESENTATION OF THE ENTIRE SUBMITTED ORDER.

CUSTOMER APPROVAL

APPROVED BY: _____
 DATE: _____



NFPA 1900
(2024)
COMPLIANT

JOB NO. PRELIM

SCALE 1:24 DATE

DRAWN BY JDA 17NOV25

CHECKED BY ARI 17NOV25

SHEET SIZE D SHEET NO. 1 OF 1

| | | |
|--------------|---------|---|
| CHASSIS DATA | TITLE | 1500 GPM, 525G TANK, 500G WATER, 25G FOAM |
| MAKE | FOR | CORONA FIRE DEPARTMENT |
| PIERCE | | SOUTH COAST FIRE EQUIPMENT, INC. |
| MODEL | DWG NO. | 73200 |
| ENFORCER | | |

BID# 705
ADRIAN BEYER